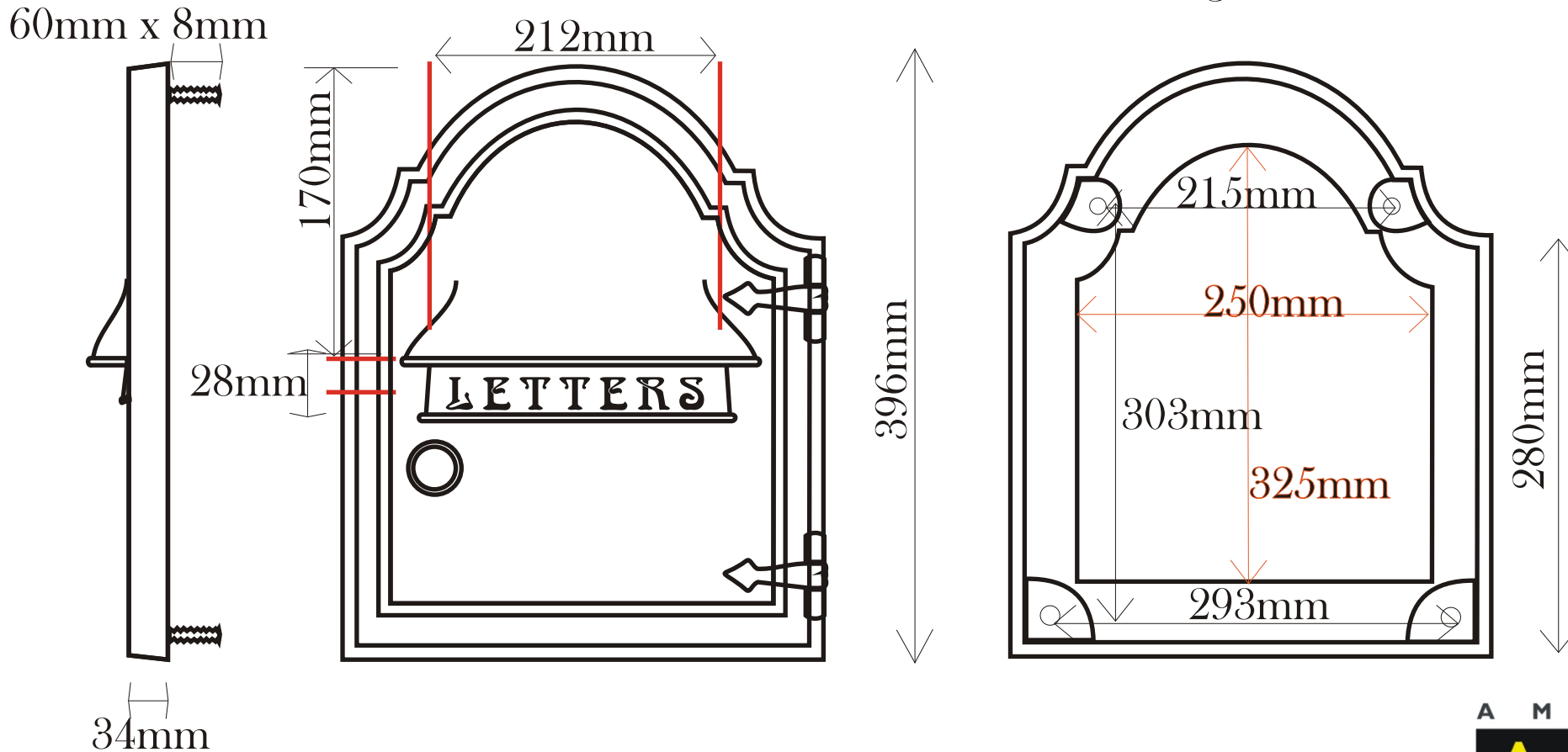




# Bourdon Front

This letterbox is secured by drilling four corresponding holes and using a readily available high strength polyester resin for fixing to the brickwork.



All sizes are approximate