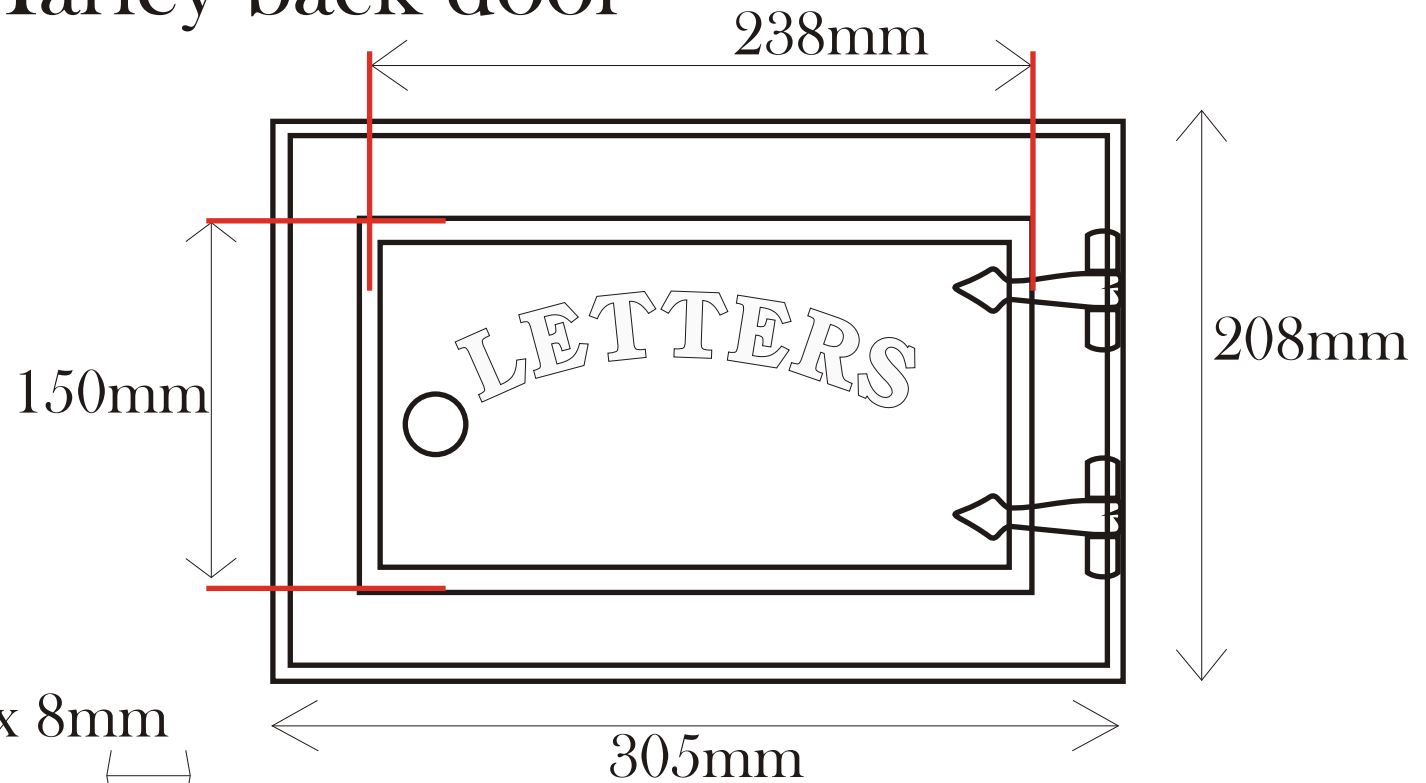
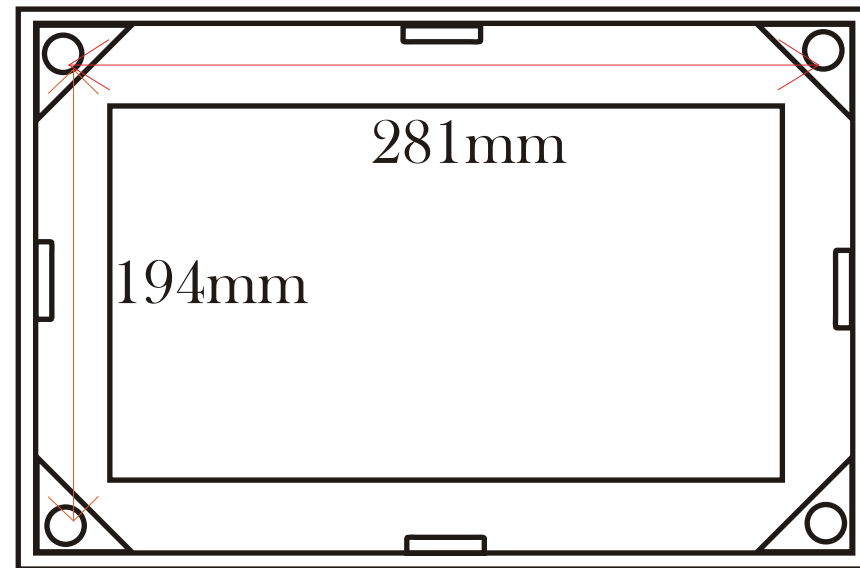
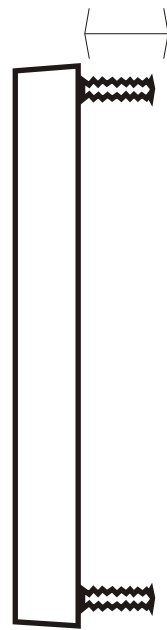


The Harley back door



60mm x 8mm



This letterbox is secured by drilling four corresponding holes and using a readily available high strength polyester resin for fixing to the brickwork.



All sizes are approximate