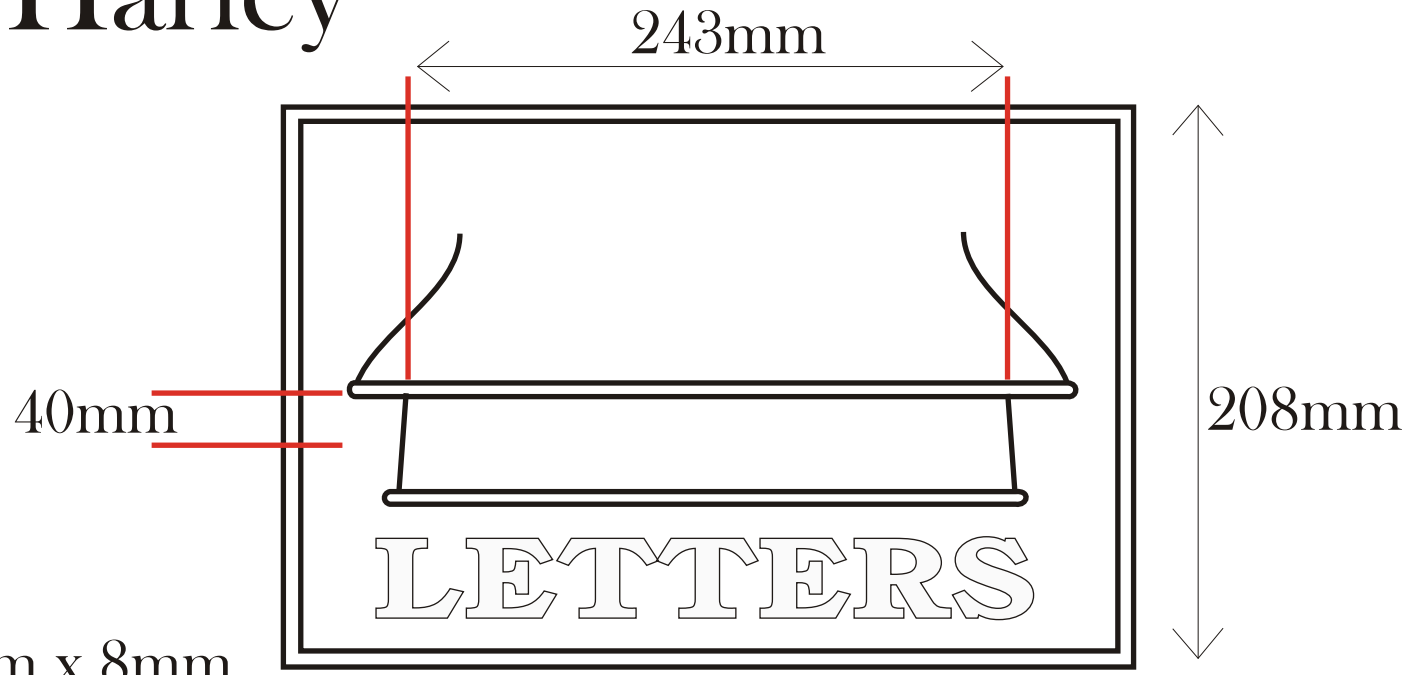


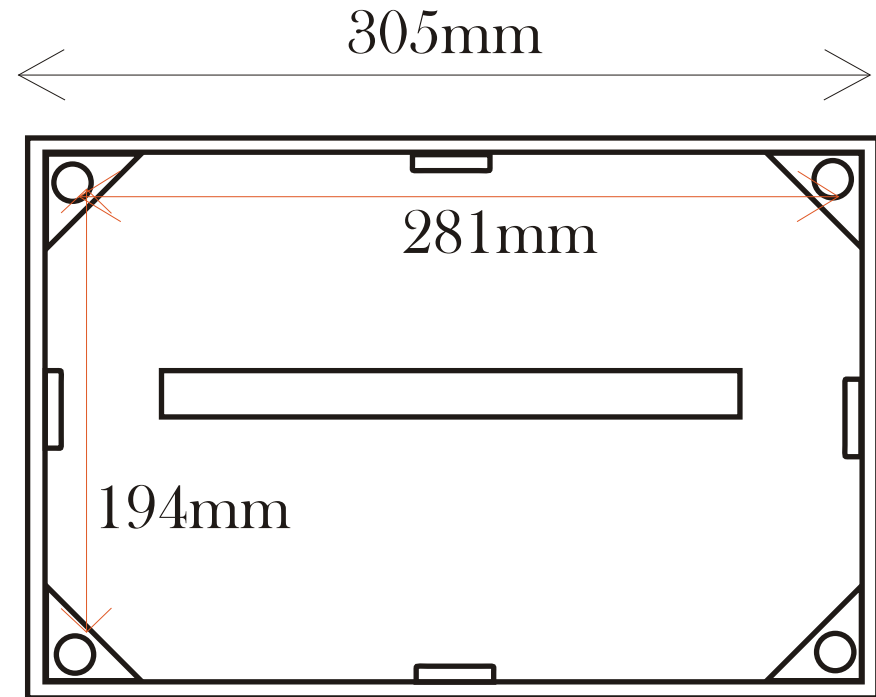
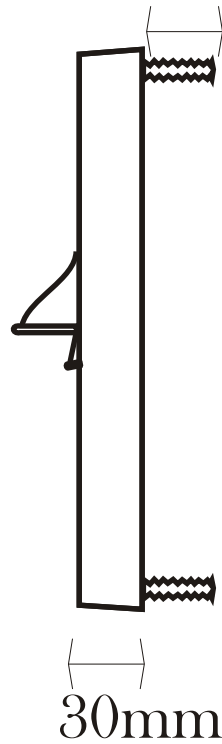


# The Harley

This letterbox is secured by drilling four corresponding holes and using a readily available high strength polyester resin for fixing to the brickwork.



60mm x 8mm



All sizes are approximate